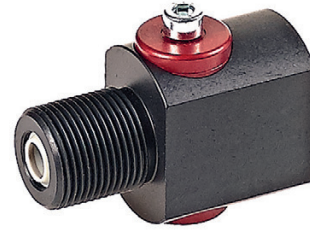


Static piston-rod brake for Cylinders ISO 6432

Bores from 20 to 25 mm



| Standard executions | | | |
|---------------------|--------|--------|------------|
| Version | Symbol | Code | Item |
| Normally closed | | 042022 | ABS 020CRD |
| | | 042023 | ABS 025CRD |
| Normally open | | 042032 | ABS 020ARD |
| | | 042033 | ABS 025ARD |



Series of static locking-rod units for cylinders ISO6432. The piston-rod brakes series ABS can be supplied normally closed or normally open.

The main applications are the locking of the piston-rod in the event of a pressure lack or failure or in all those cases where a stop for a machining or handling is necessary.

The clamping forces are suitable for a working pressure of the cylinder equal to 8 bar and act in both directions.

For the application of the piston-rod brake ABS to a cylinder ISO6432 is necessary to order the cylinder with the rod predisposed for this (the extended one in hardened steel, option B, see page 1.5.1).

How to order: ABS020CRD

| ABS | 020 | CRD |
|------|-------|--------|
| Type | Bores | Option |

For standard items, codes and dimensions see tables page 1.75.5.

Seal kits not available.

| Technical data | | |
|-------------------|--|----------------------|
| Bores (mm) | 20 | 25 |
| Fluid | Compressed filtered air with or without lubrication. | |
| Pressure | 4 ÷ 8 bar | |
| Locking force (N) | 300 | 400 |
| Temperature range | -10 °C ÷ +80° C | |
| Materials | Body: | Anodised aluminium |
| | Jaws: | Brass |
| | Seals: | Nitrile rubber (NBR) |
| | Locking cylinder: | Anodised aluminium |

WARNING: working of piston rod-brake type ABS is static: before clamping is necessary to arrest the rod, is not usable for reducing the speed of the rod while moving.

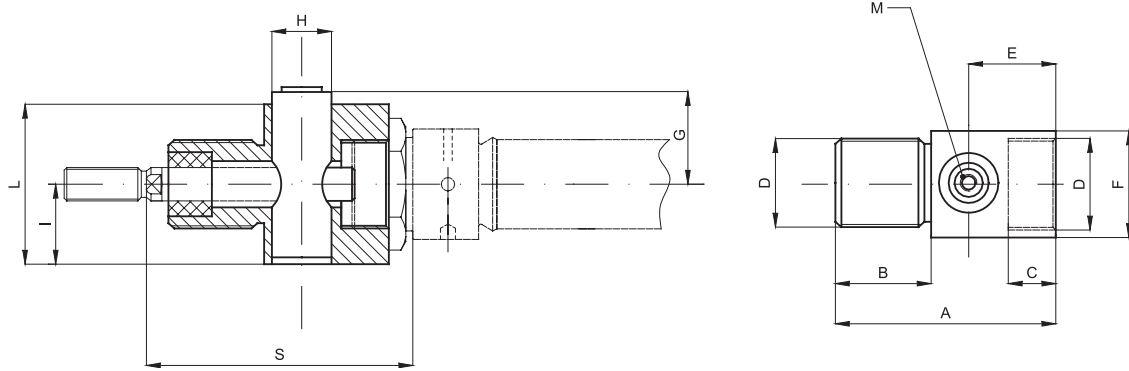
The locking-rod unit must only be unlocked when the pressures of both chambers of the cylinder are balanced, or the rod of the cylinder could move with non-uniform motion, causing problems to the application.

Static piston-rod brake for Cylinders ISO 6432

Bores from 20 to 25 mm



Type: **ABS**



| For cylinder Ø mm | A | B | C | E | F | G | H | I | D | L | M | S |
|----------------------|----|----|----|----|----|----|----|----|---------|----|----|----|
| 20 | 58 | 23 | 12 | 24 | 27 | 21 | 20 | 19 | M22x1,5 | 38 | M5 | 72 |
| 25 | 58 | 23 | 12 | 24 | 27 | 21 | 20 | 19 | M22x1,5 | 38 | M5 | 74 |